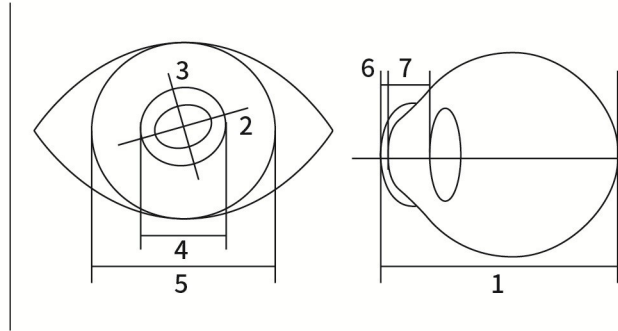


Biometer Measurement Report

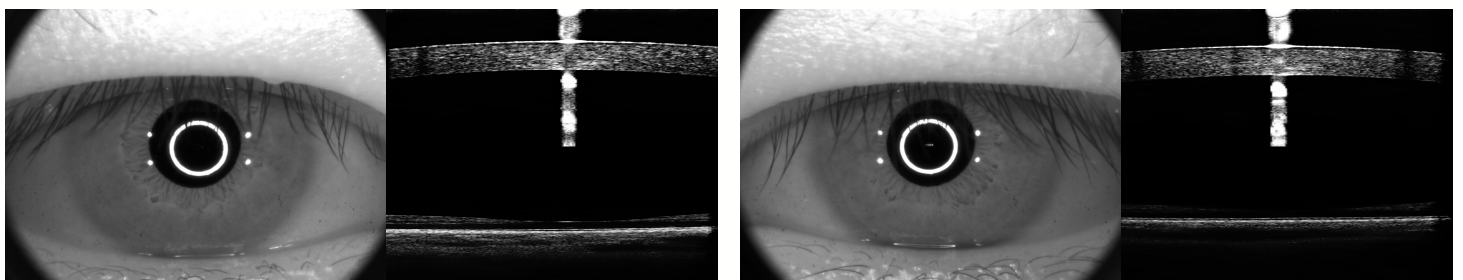
光明眼镜天乐

Patient ID: 2528856263
 Name: 邵1
 Gender: Male
 Age: 21
 Phone:
 Date: 2025-10-15
 Operator:



- 1.AL Axial length
- 2.K1 K1-flat
- 3.K2 K2- steep
- 4.PD Pupil diameter
- 5.WTW White -to-white distance
- 6.CCT Central corneal thickness
- 7.ACD Anterior chamber depth

OD							OS						
AL							Reference range:21.99~26.35mm						
	#1	#2	#3	#4	#5	#6		#1	#2	#3	#4	#5	#6
AL(mm)	25.72	25.71	25.73	25.71	25.70	25.70	AL(mm)	25.14	25.13	25.14	25.12	25.12	25.15
Avg	25.72mm						Avg	25.13mm					
SD	0.02mm						SD	0.02mm					
Note: If the data shows abnormal fluctuations, please measure again.													
CCT							Reference range:500~600μm						
	559.68μm							559.75μm					
ACD							Reference range:2.5~3.5mm						
	3.90mm							3.93mm					
K							Reference range:39~45D						
K1	8.08mm /41.78D @166°						K1	8.03mm /42.05D @10°					
K2	7.94mm /42.51D @76°						K2	7.93mm /42.53D @100°					
AST	-0.74D						AST	-0.48D					
AVG K	8.01mm /42.15D						AVG K	7.98mm /42.29D					
Pupil													
	4.61mm							4.46mm					
WTW													
	12.39mm							12.32mm					
AL/CR							Reference range:3						
	3.21							3.15					



Biometer Measurement Result Data Analysis

光明眼镜天乐

ID: 2528856263 Name: 邵1 Gender: Male Age: 21
Phone: Date: 2025-10-15 Operator:

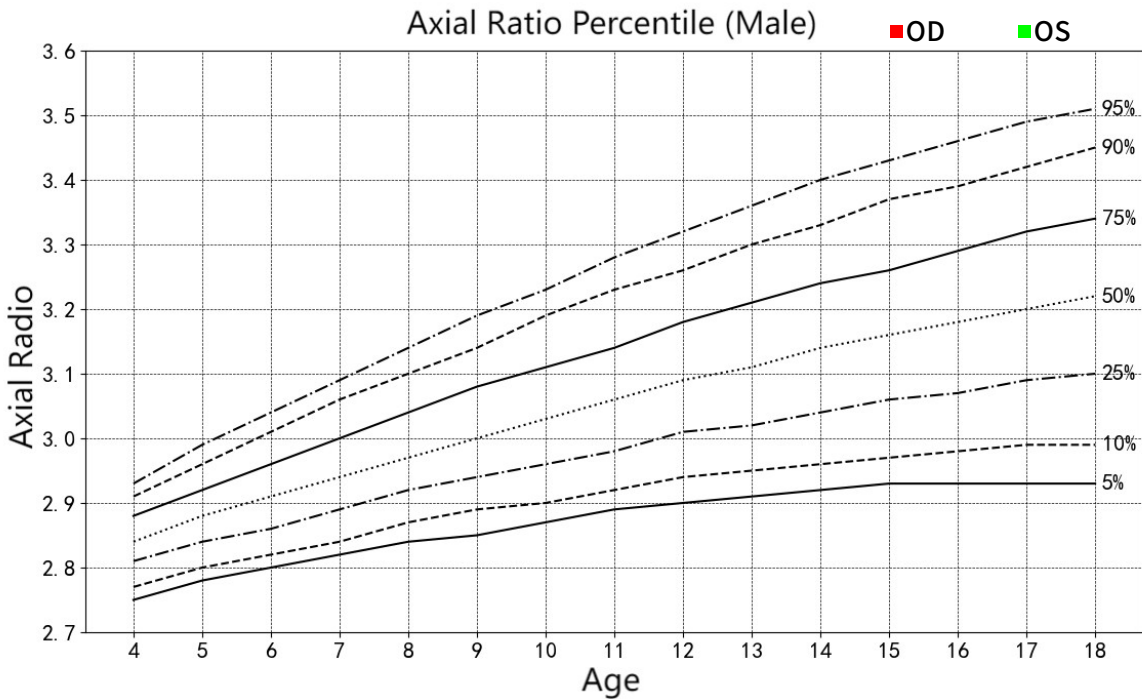
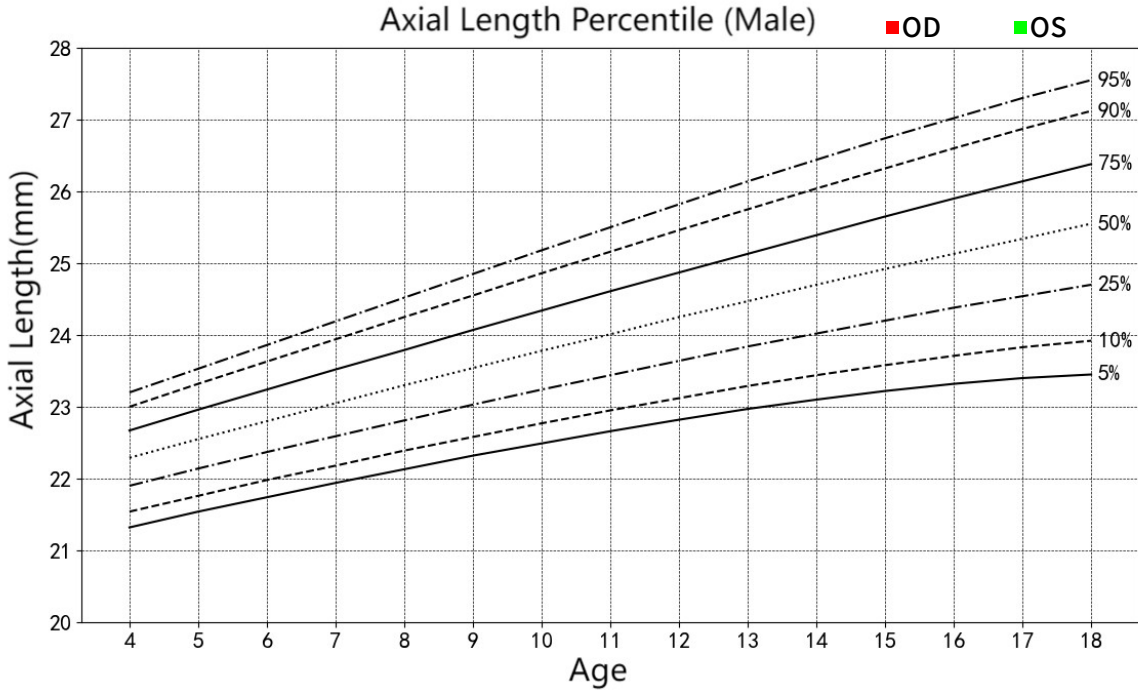
OD			
Item	Result	Reference range	Analysis
AL	25.72mm	21.99~26.35mm	Normal Axial Length
CCT	559.68μm	500~600μm	Normal Central Corneal Thickness
ACD	3.90mm	2.5~3.5mm	Deep anterior chamber: no treatment needed if asymptomatic; screen for eye diseases if symptoms or signs present.
K1	41.78D @166°	39~45D	Very Flat K; Fairly flat cornea, possible hyperopia, requires prompt optical correction.
K2	42.51D @76°	39~45D	Very Flat K; Fairly flat cornea, possible hyperopia, requires prompt optical correction.
AL/CR	3.21	3	High Myopia Risk
AST	-0.74D	≤-1.00D	Low Corneal Astigmatism
Conclusion	Mild refractive error possible. If myopia, consider accommodative spasm and pseudomyopia risk; if hyperopia, optical correction needed. Monitor regularly, use eyes properly, avoid eye strain.		
OS			
Item	Result	Reference range	Analysis
AL	25.13mm	21.99~26.35mm	Normal Axial Length
CCT	559.75μm	500~600μm	Normal Central Corneal Thickness
ACD	3.93mm	2.5~3.5mm	Deep anterior chamber: no treatment needed if asymptomatic; screen for eye diseases if symptoms or signs present.
K1	42.05D @10°	39~45D	Very Flat K; Fairly flat cornea, possible hyperopia, requires prompt optical correction.
K2	42.53D @100°	39~45D	Very Flat K; Fairly flat cornea, possible hyperopia, requires prompt optical correction.
AL/CR	3.15	3	High Myopia Risk
AST	-0.48D	≤-1.00D	Low Corneal Astigmatism
Conclusion	Mild refractive error possible. If myopia, consider accommodative spasm and pseudomyopia risk; if hyperopia, optical correction needed. Monitor regularly, use eyes properly, avoid eye strain.		

Analysis based on the measurement result of Biometer (for reference only)

Biometer Measurement Report

光明眼镜天乐

ID: 2528856263 Name: 邵1 Gender: Male Age: 21
Phone: Date: 2025-10-15 Operator:



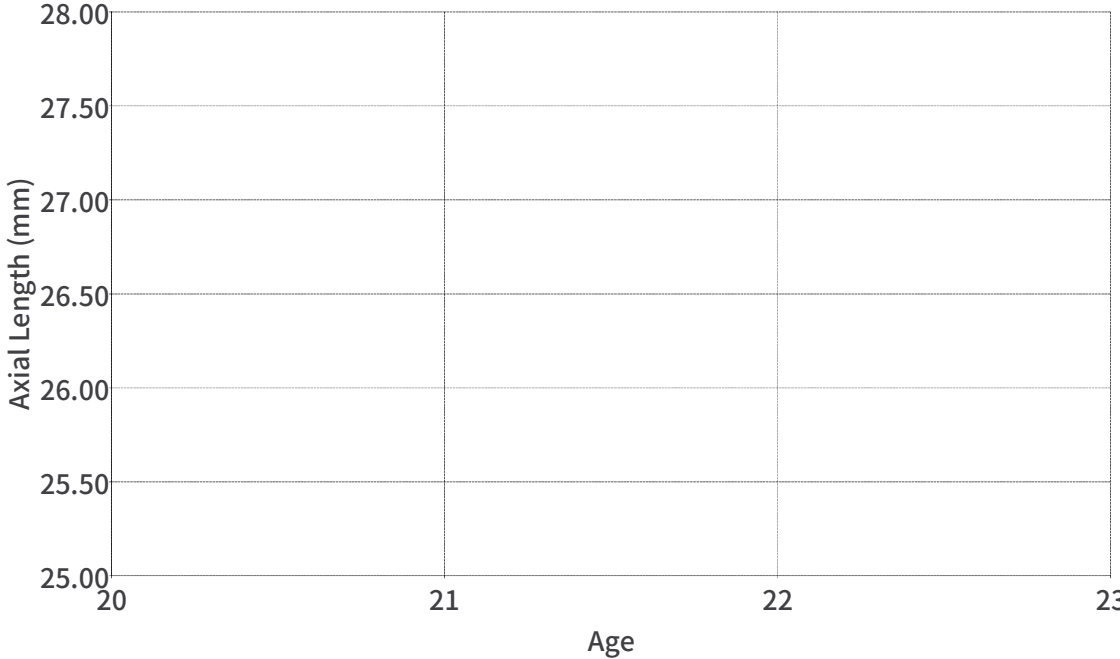
	AL (Measured value)	CR (Measured value)	AL/CR	AL (Average reference)	SE (Predicted)
OD	25.72mm	8.01mm	3.21		-2.64D
OS	25.13mm	7.98mm	3.15		-1.87D

Biometer Measurement Report

光明眼镜天乐

ID: 2528856263 Name: 邵1 Gender: Male Age: 21
Phone: Date: 2025-10-15 Operator:

Axial Length Trend (Right Eye)



Axial Length Trend (Left Eye)

